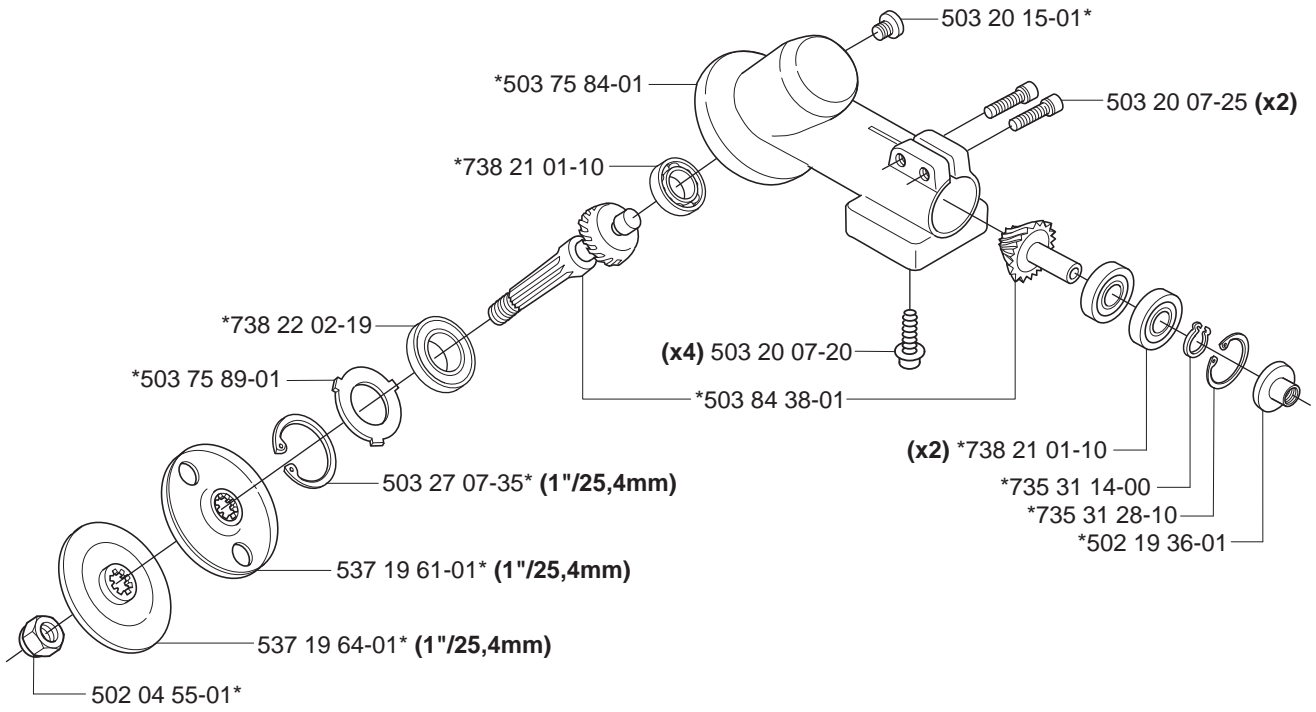
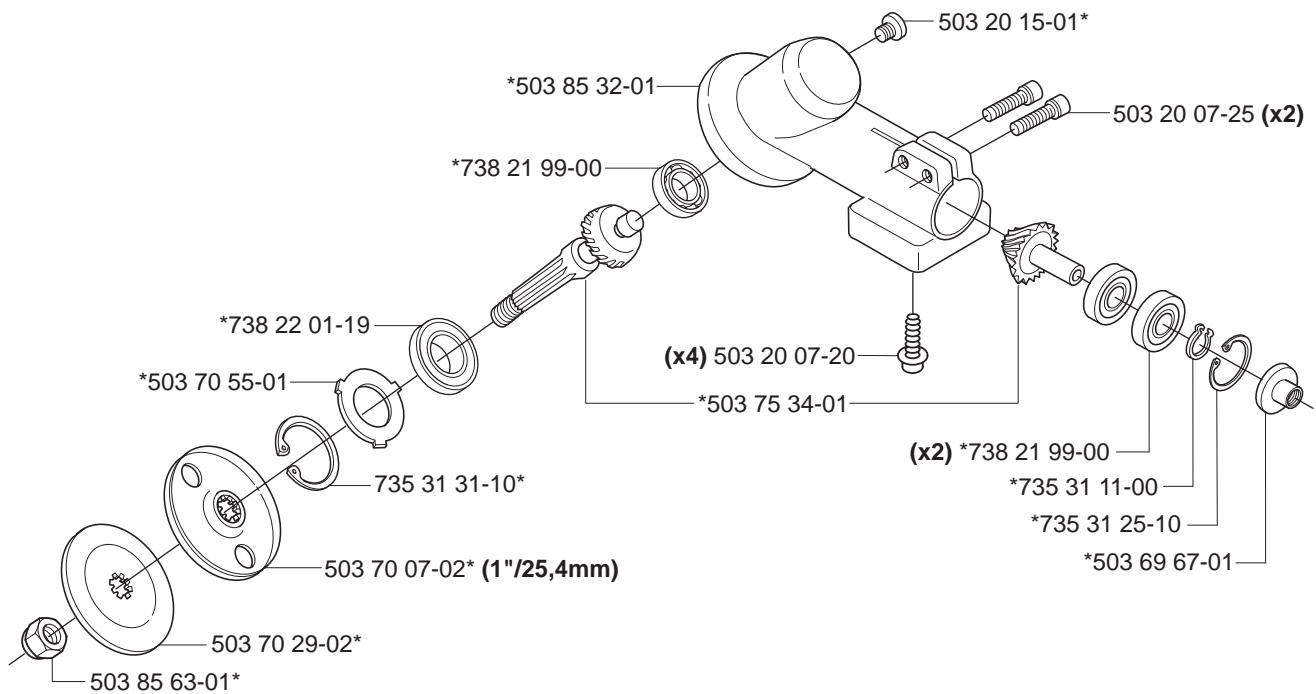


**A** 235  
 \*compl 503 75 83-02 (1"/25,4mm)

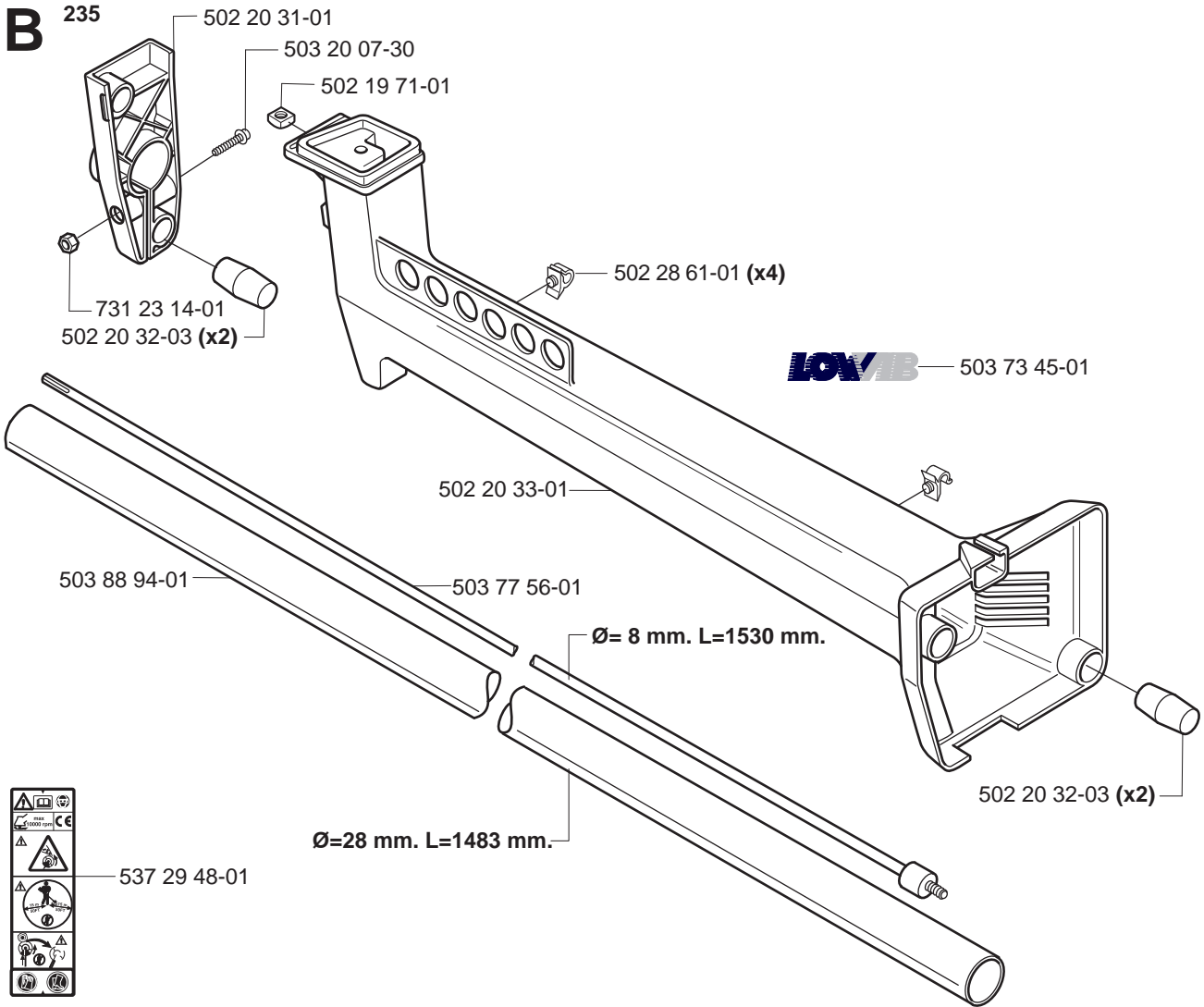


**A** 232  
 \*compl 502 21 92-08 (1"/25,4mm)

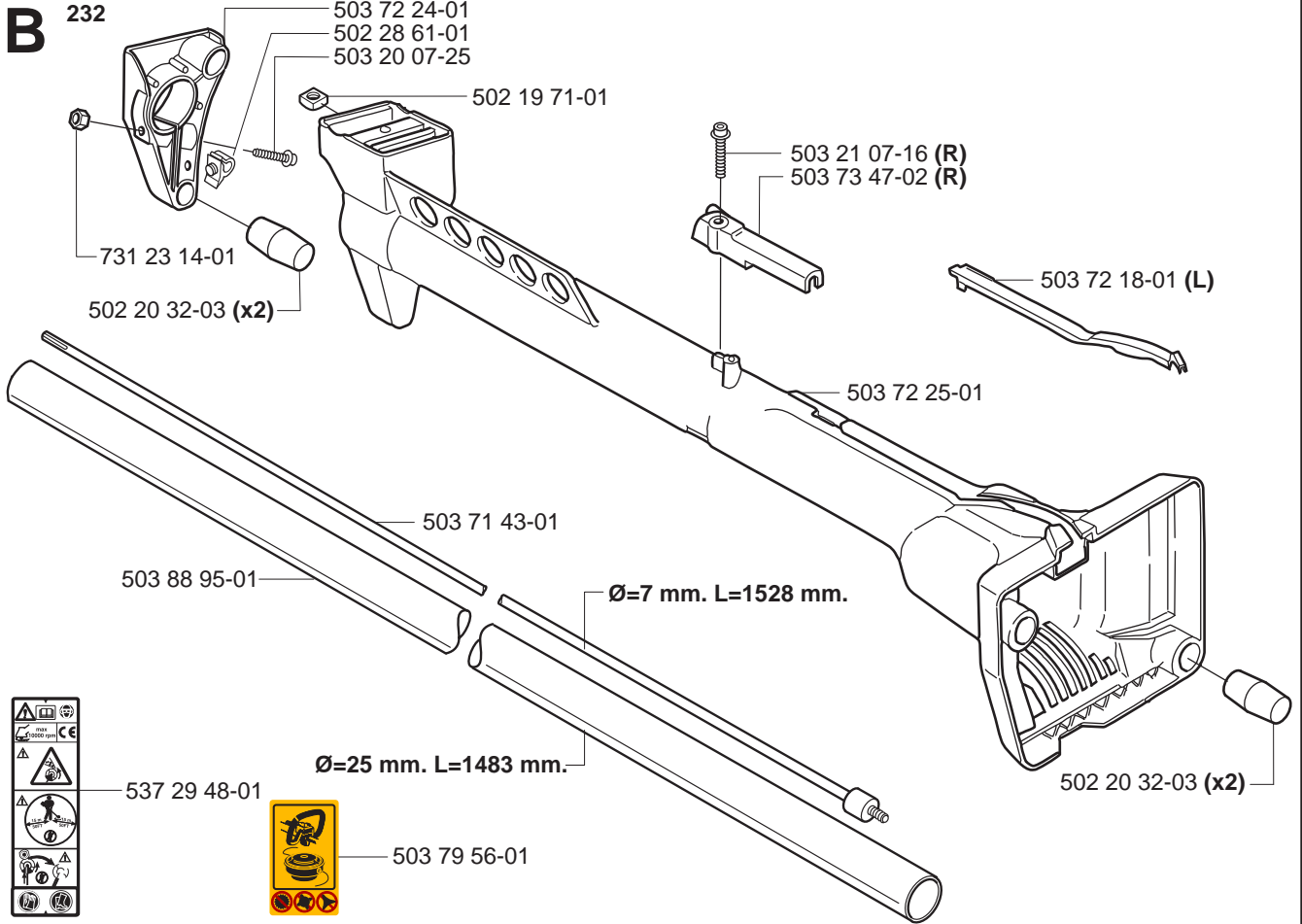


**B**

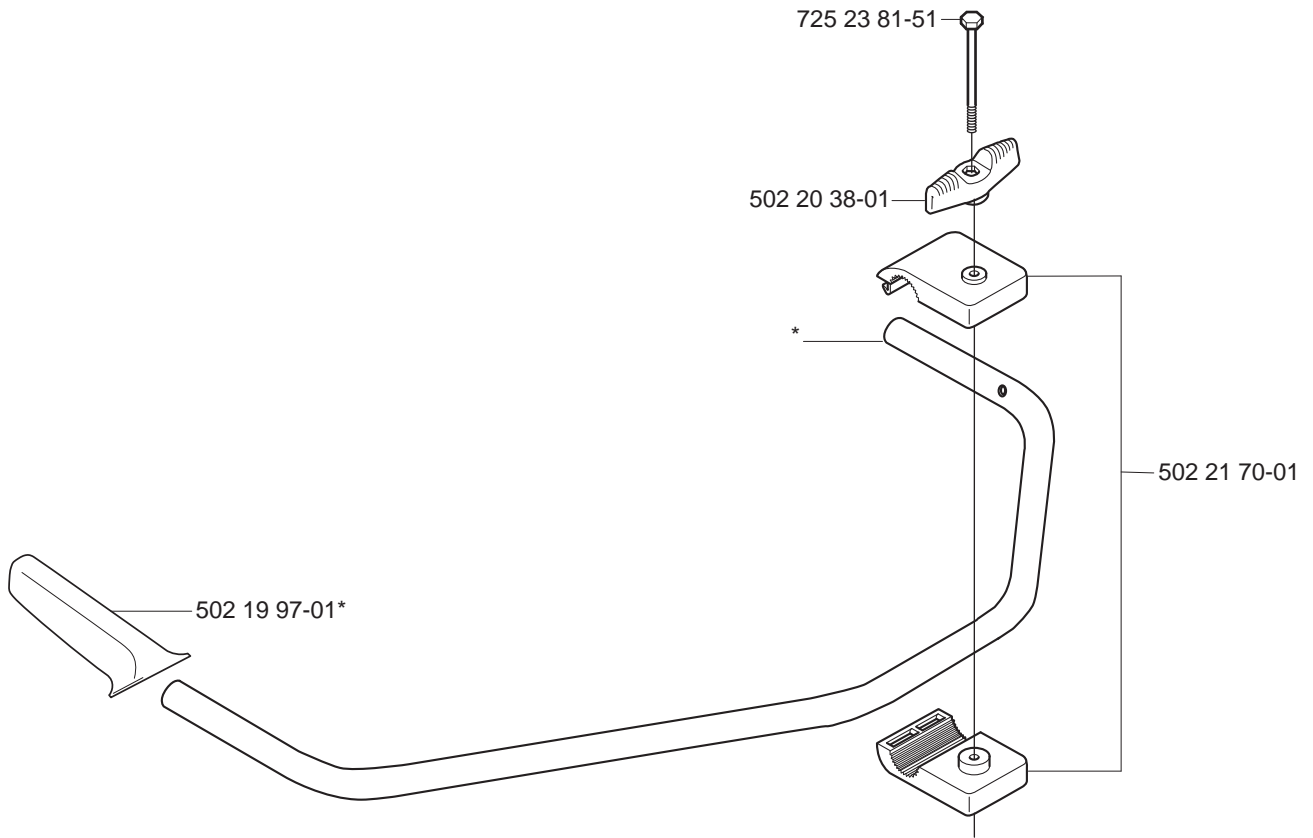
235

**B**

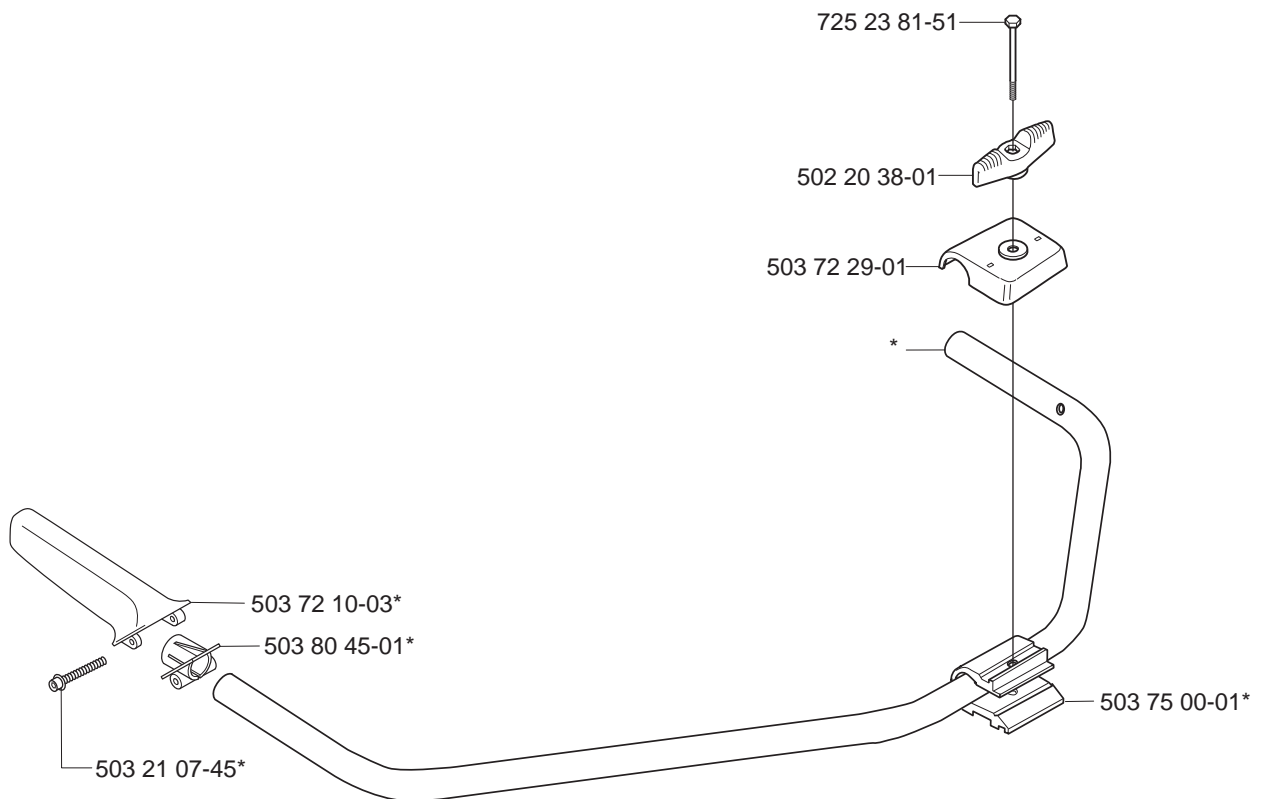
232



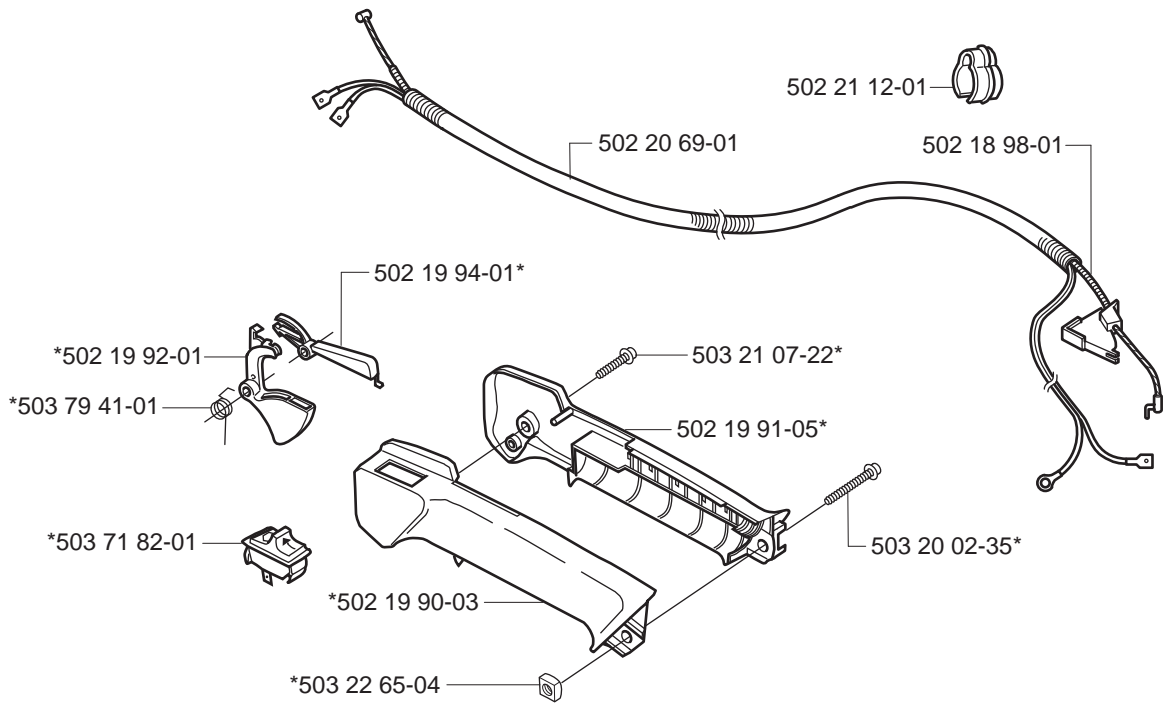
**C** 235R, 235RII  
\*compl 502 19 60-01



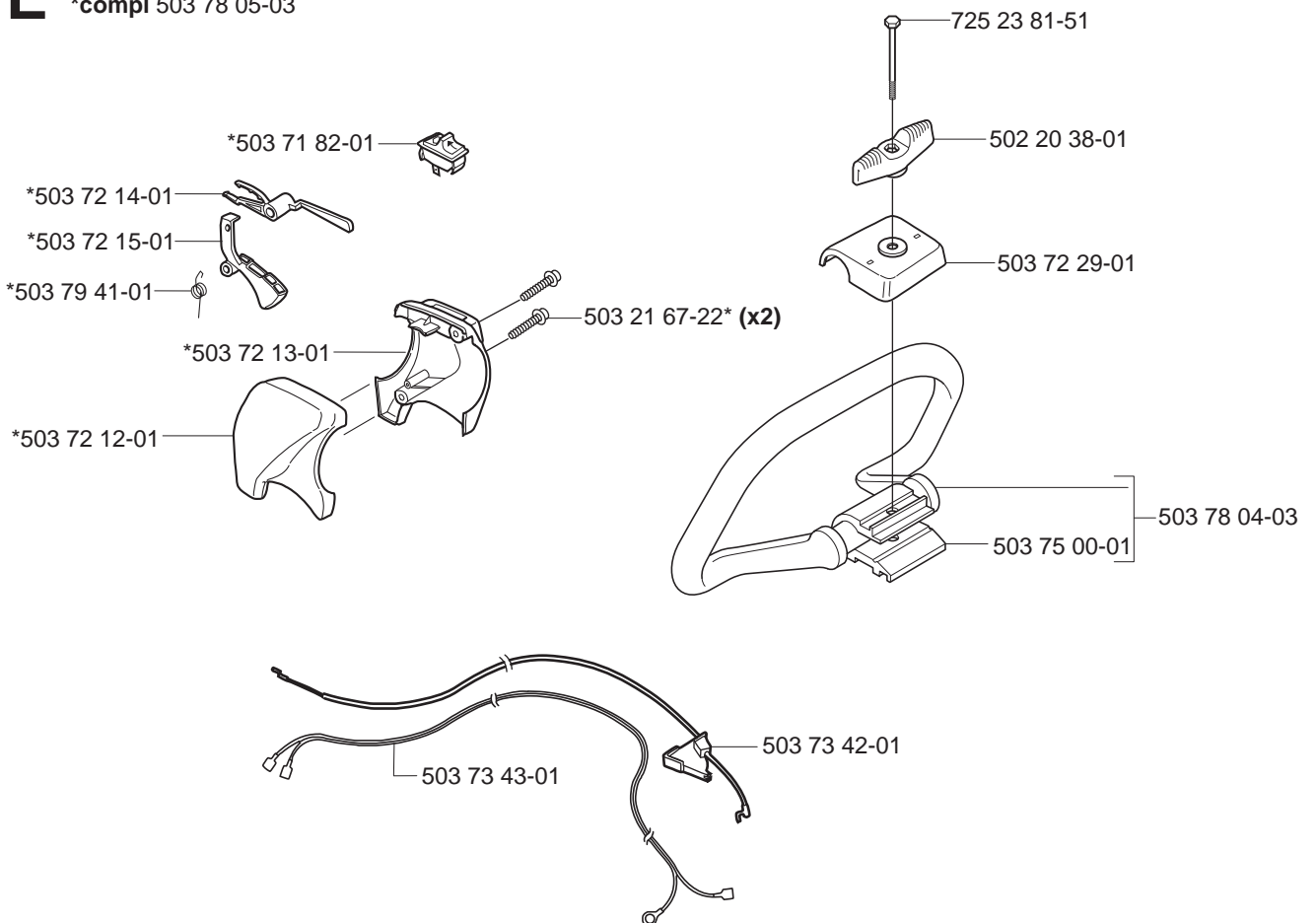
**C** 232R  
\*compl 503 72 43-03



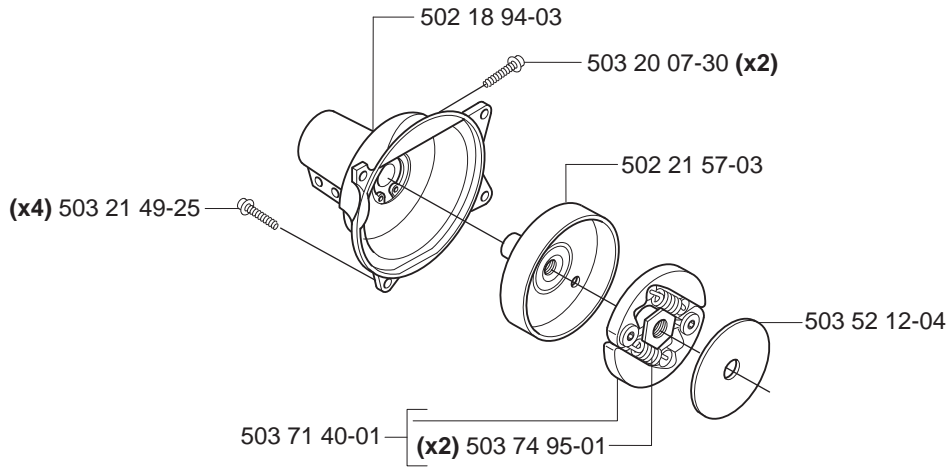
**D** 232R  
235R, 235RII  
\*compl 502 19 58-13



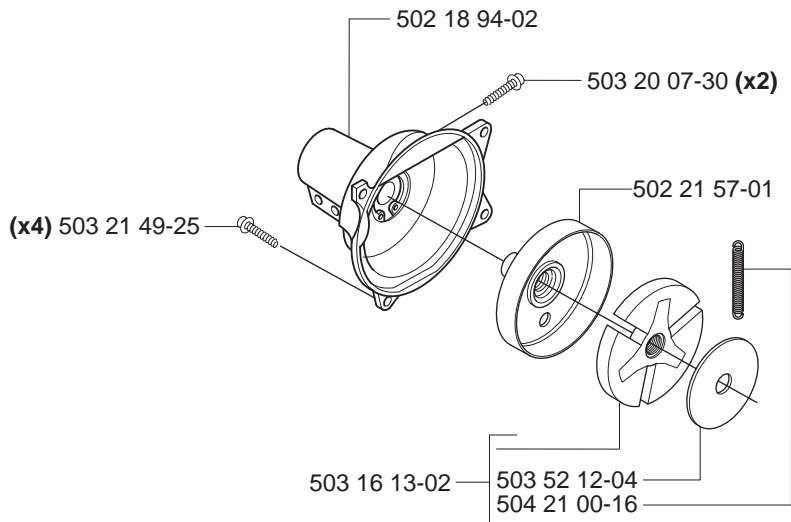
**E** 232L  
\*compl 503 78 05-03



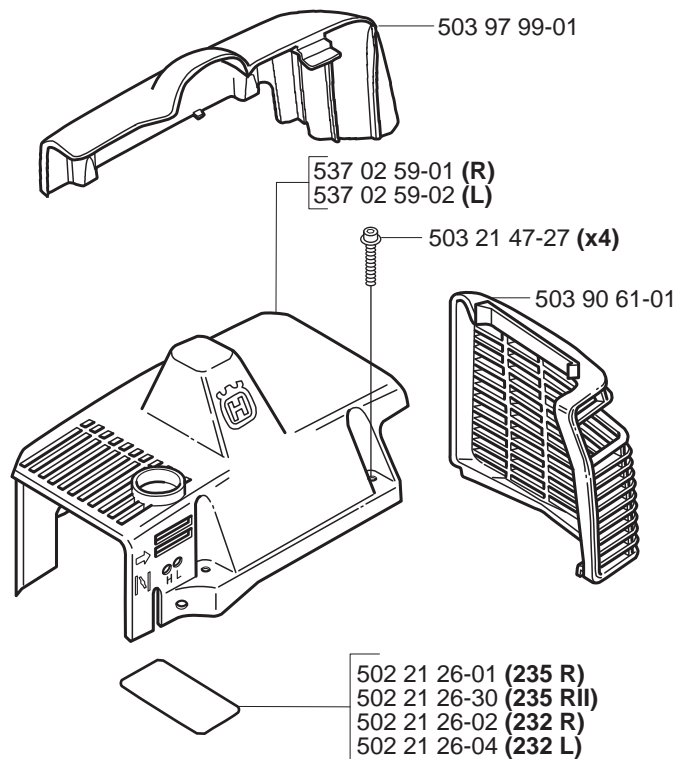
# F 232

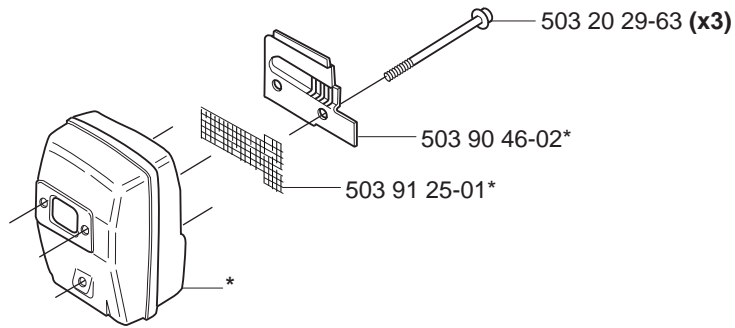
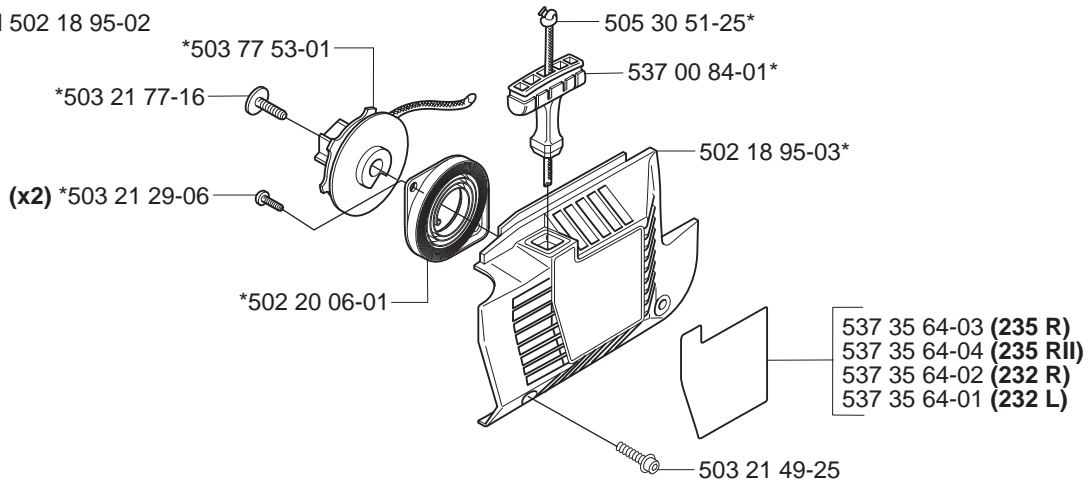
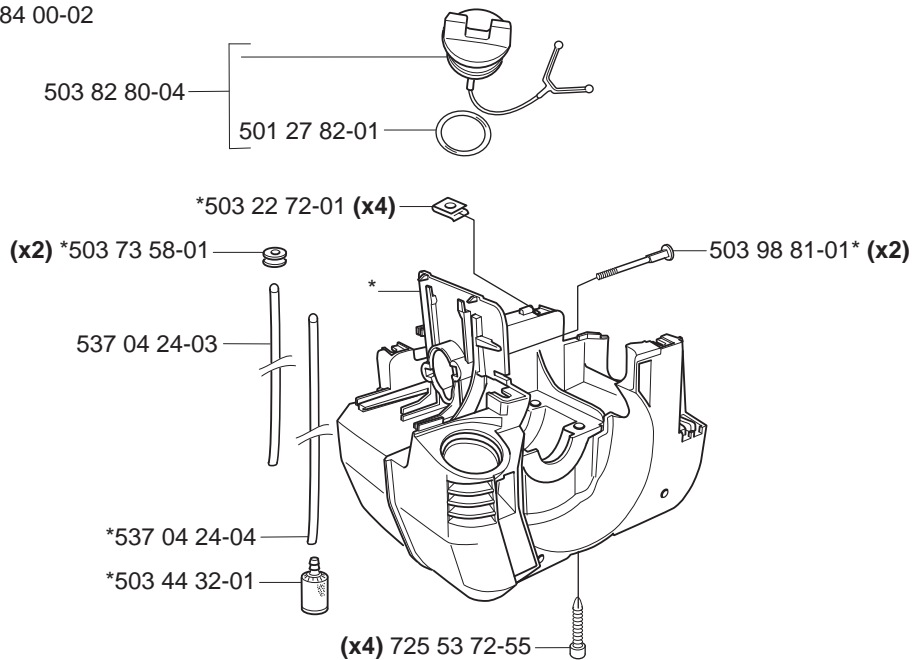
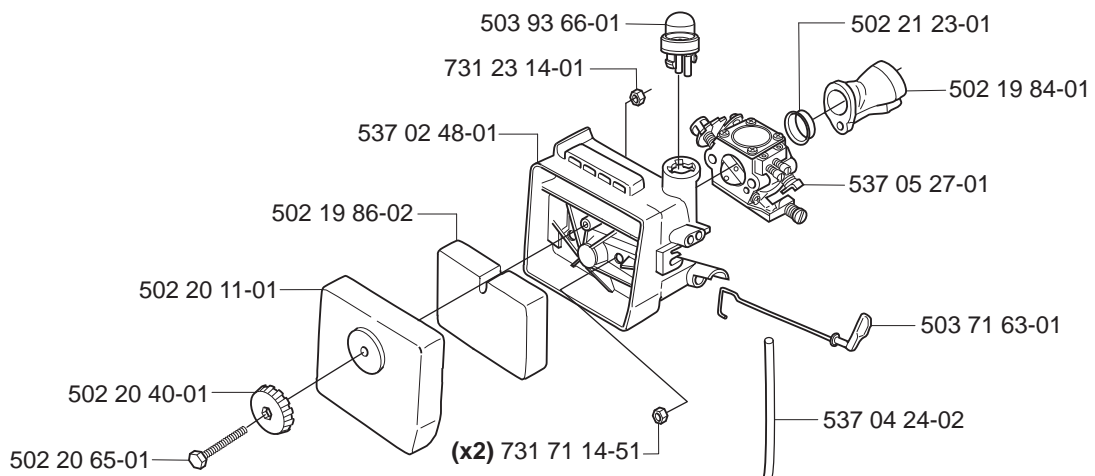


# F 235

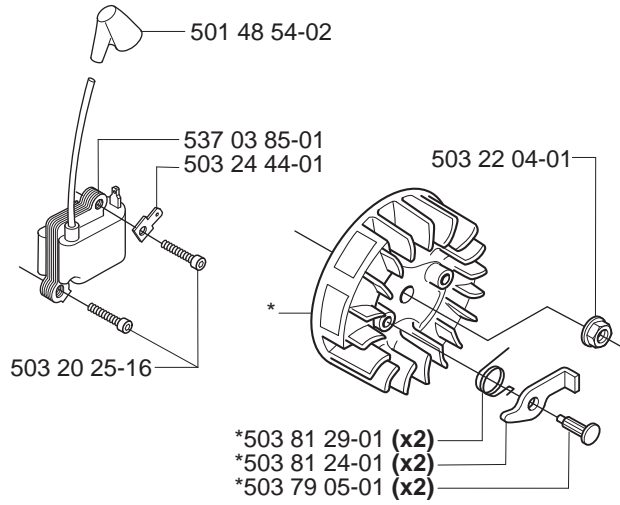


# G

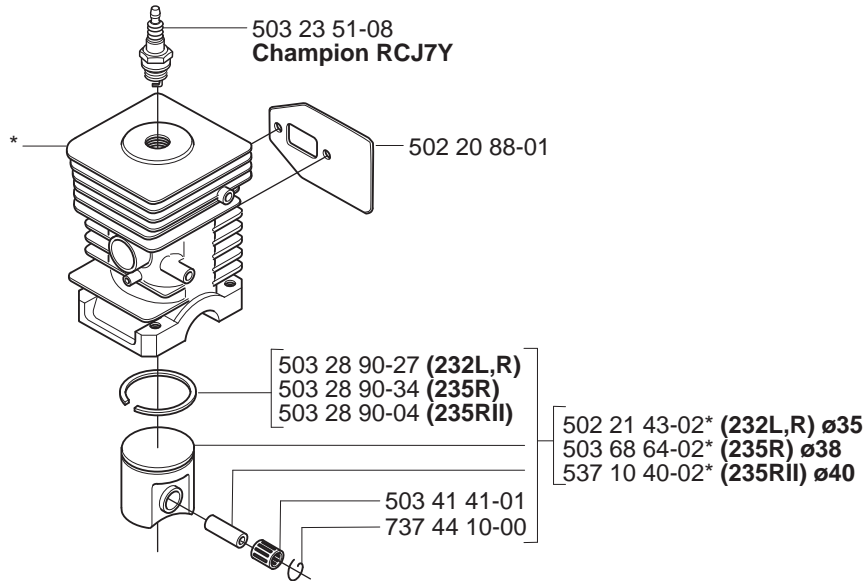


**H****\*compl 503 90 47-02****J****\*compl 502 18 95-02****K****\*compl 503 84 00-02****L**

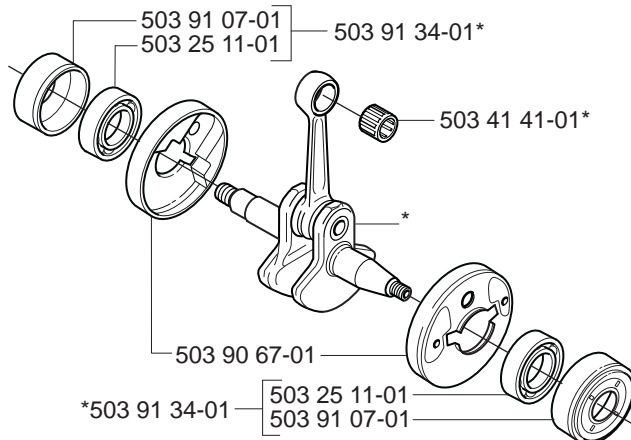
**M** \*compl 503 79 06-01

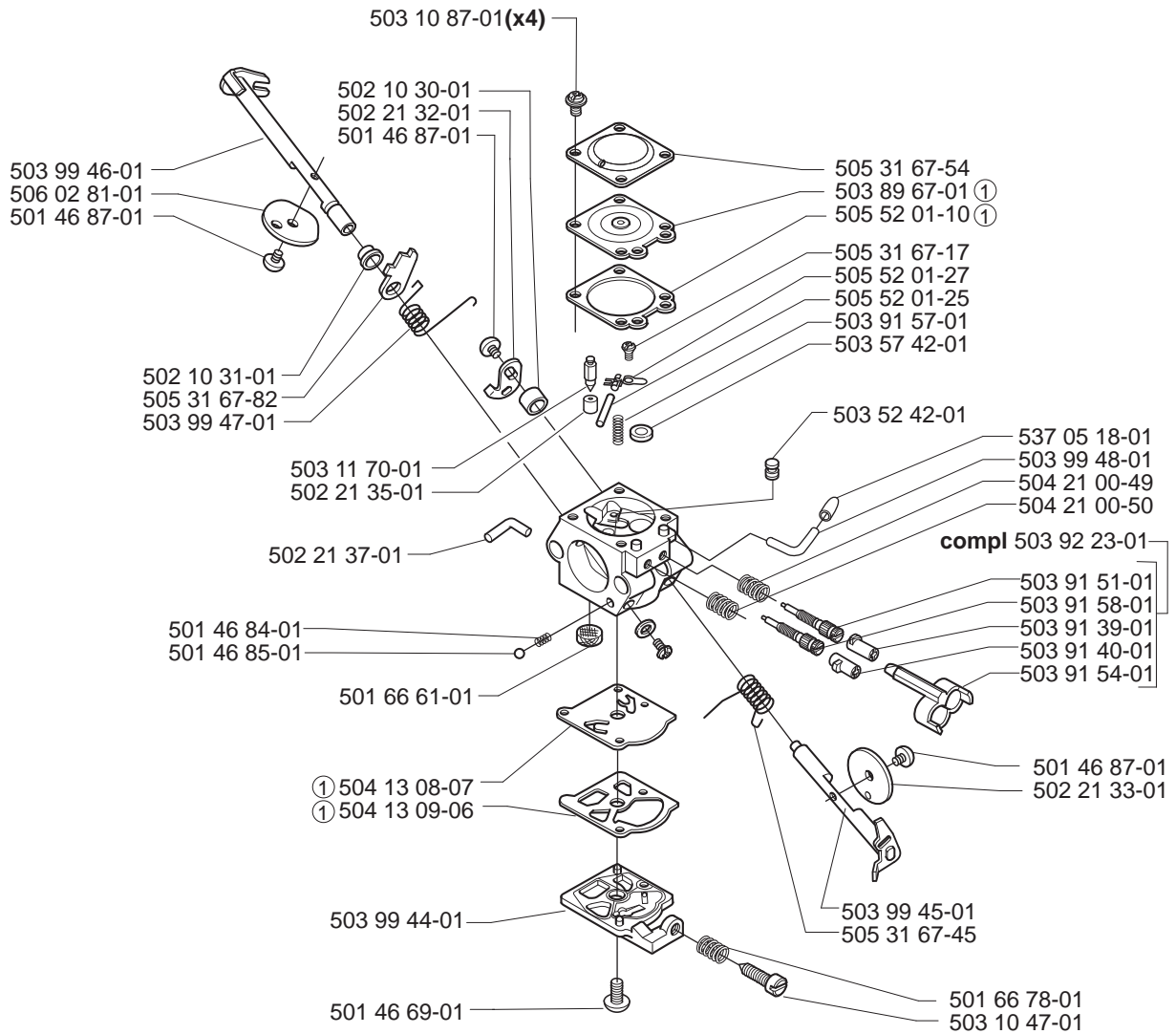


**N** \*compl 503 72 80-01 (232L,R)  $\varnothing$ 35  
\*compl 503 69 46-01 (235R)  $\varnothing$ 38  
\*compl 503 70 41-01 (235RII)  $\varnothing$ 40



**P** \*compl 502 21 28-04

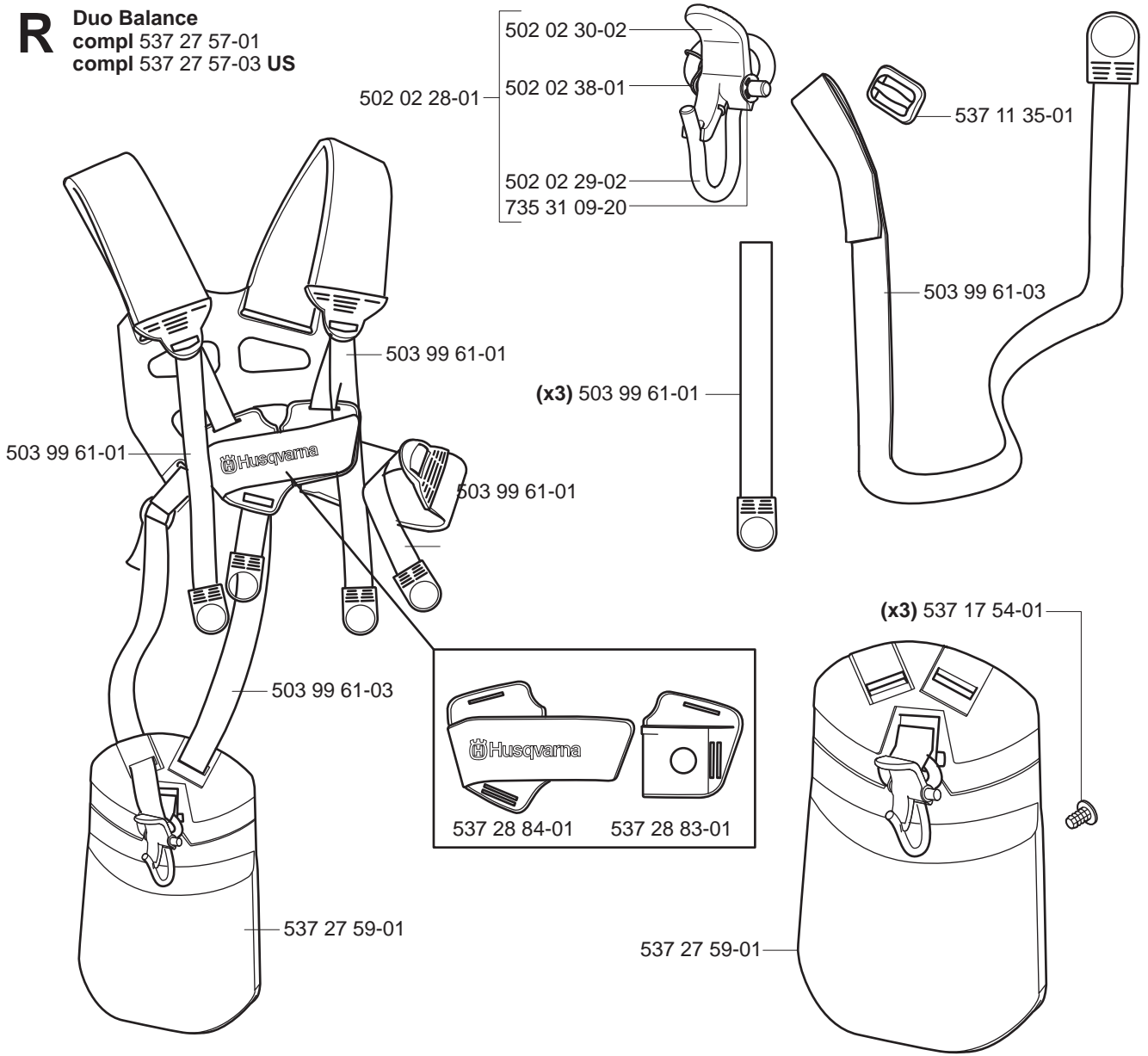




- ① 530 03 51-73  
**Set of gaskets**  
**Dichtungssatz**  
**Jeu de joints**  
**Juego de juntas**  
**Packningssats**

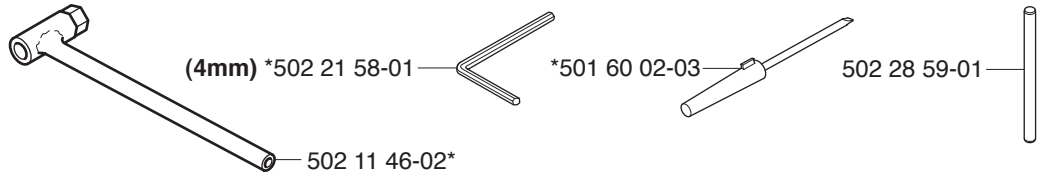


**R Duo Balance**  
compl 537 27 57-01  
compl 537 27 57-03 US

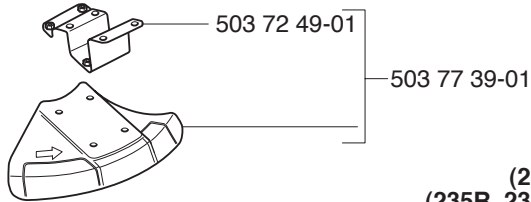
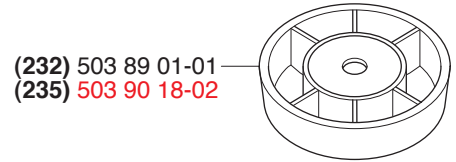
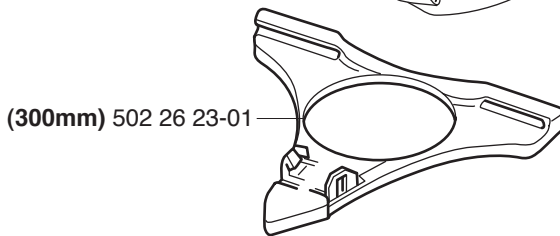
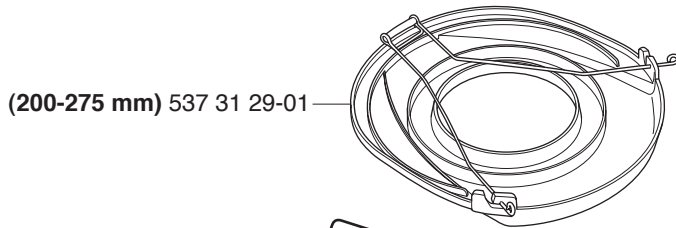
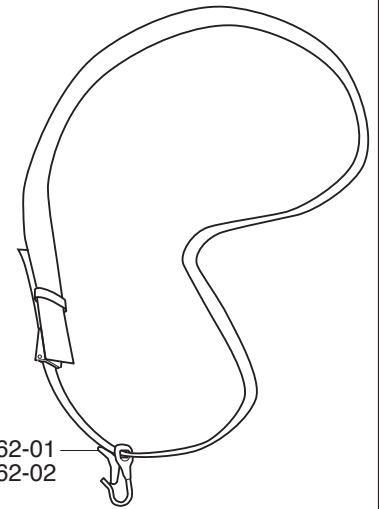
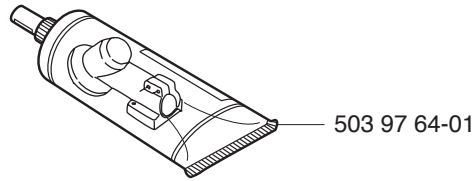
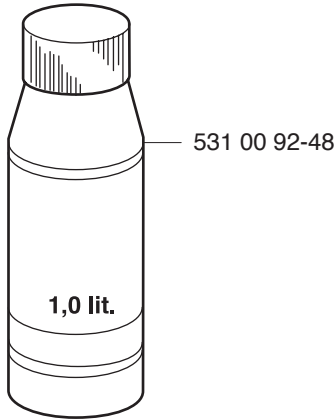
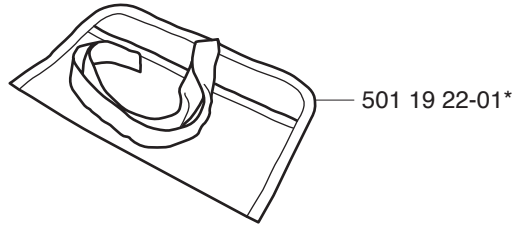


**S** Accessories  
 Zubehöre  
 Accessoires  
 Accesorios  
 Tillbehör

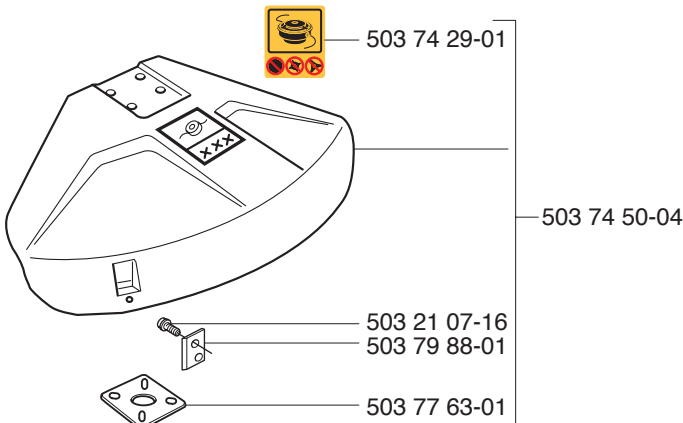
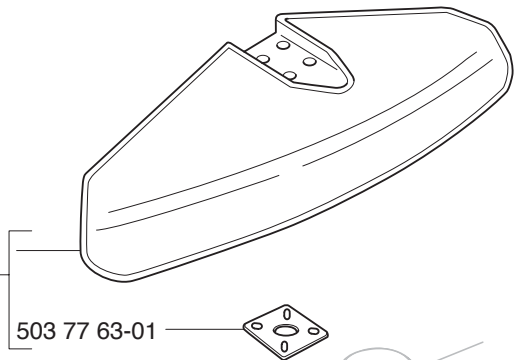
\*compl 502 21 60-01



**Olja Luftfilter**  
**Oil Airfilter**  
**Öl Luftfilter**  
**Aceite Filtro Air**  
**Huile Filtera aire**



(232R) 503 74 40-01  
 (235R, 235RII) 503 89 52-01



(235R, 235RII) 537 29 80-02  
 (232L, 232R) 537 29 26-01

